

0

10 (\$

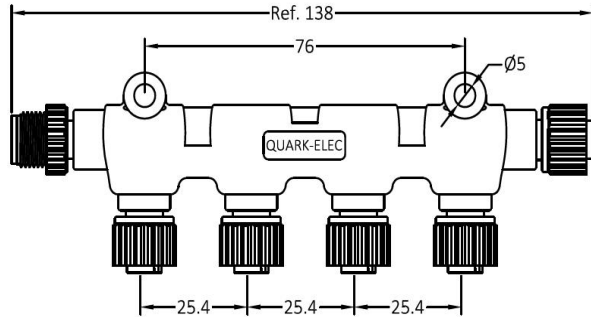
: D 7 FRQCFVRU 0 LFUR

SIQ **QUARK-ELEC**

4. \$6 . %10 (\$

%DFNERQH

0 7 6 SQMMU & RQCFVRU \$ QM9 LEUDMRQ / RFNLQ 3 DMIF 6 FUZ

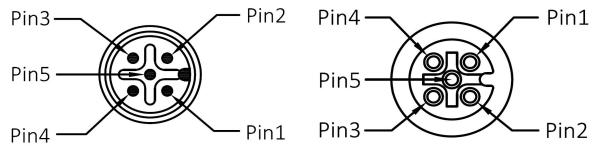
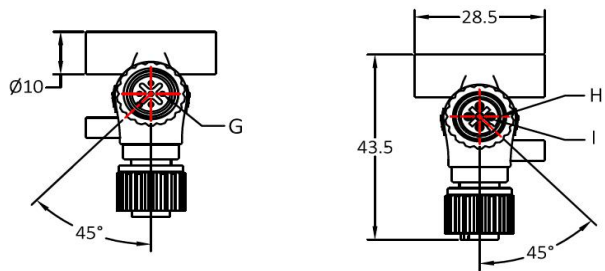


(QFMFDO0 HFKDQFDO0 DMJDO DM

- v 6 VDCDUG , (&
- v & RQCFVRU 0 7 & RQCFVRU
- v , QXDMRQ5 HVMDCFH • 0
- v & RQDFW5 HVMDCFH " 0
- v \$ P EHQMP SHUDMUH a a
- v 2 YHUP RQJ 738
- v & RQDFW FDUIHU 738 *)
- v & RQDFW %DW 3 KR/SKRUEURQ H * RQ SDMG
- v & RXSDQ QXVWFUZH 3\$ *)
- v 6 HDO) . 0 6 , / , & 2 1 2 5 IQ
- v (0 , 6 KHQJ CRQ 6 KHQHG
- v 0 HFKDQFDO0 HVSQ • P DMJ F FQV
- v , 3 DMJ , 3 , 3 IQ QFNHG FRQGLVRQ
- v / RFNLQ ' HMJQ \$ QM9 LEUDMRQ

3 HURUP DQFH 0 DMJDO

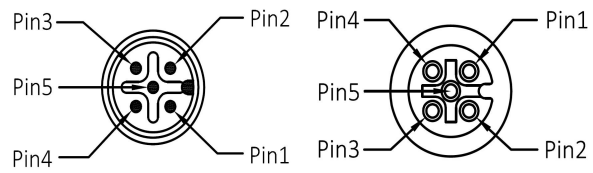
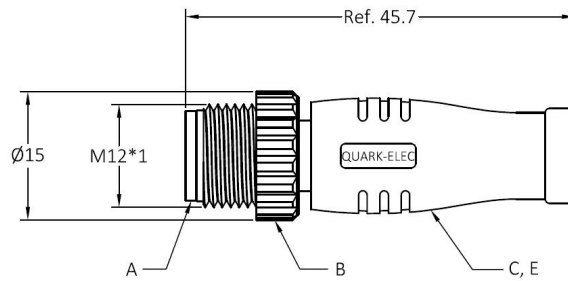
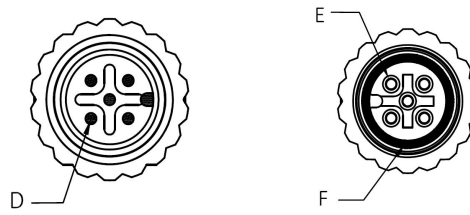
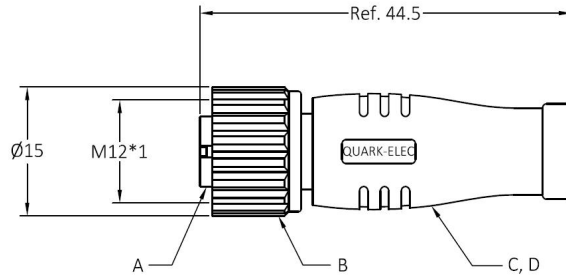
- v 5 HVMDCMR FKHP LEDV DQG RQV
- v 5 HVMDCMR P LEUREHV DQG K GUROV
- v 3 RQMRQ GHUHH , , ,
- v 5 R+6 FRP SDCFH



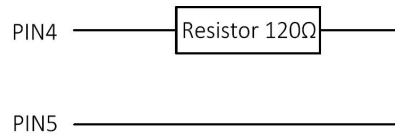
3 IQ \$ WJ QP HQW) URQ/Ø I-HZ 0 P DØ \$ & RQJ 3,1

3 IQ \$ WJ QP HQW) URQ/Ø I-HZ 0 IHP DØ \$ & RQJ 3,1

& RQDFW 1 R		3,1
	& RQJ	\$ FRQJ
. H.Z.D. & RQJ) URQ/Ø I-HZ 0 DØ	
) URQ/Ø I-HZ) HP DØ	
	& XWHQV	\$
	9 RQDUH	9



Wire List



4. \$6 . 3 3RZHU7DS 7 6 SMMU&DECH

0 3RZHU7DS 7 6 SMMU&DECH \$ QM9LEUMRQ/ RFNLQJ 3 DMVF 6 FUHZ
3UH 0 RCHGZ LW & DECH) UHH (QG



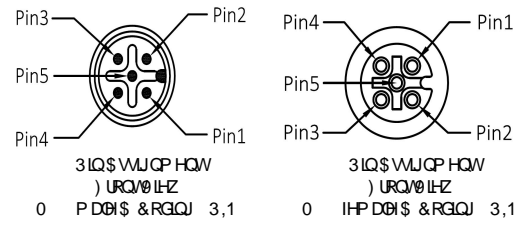
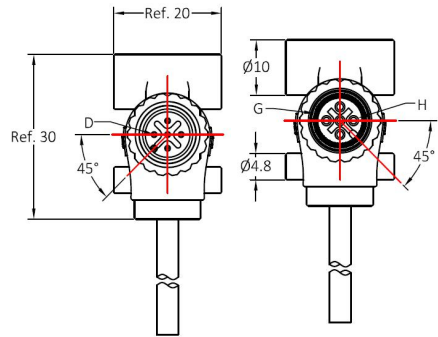
(QFMFDO0 HFKDQFDO0 DMJDO DM

v 6 VDCGUG , (&
v &RQCFVLU 0 3RZHU7DS
v , QXQNRQ UHMLDQFH • 0
v &RQDFW UHMLDQFH " 0
v \$ P EHQWMP SHUDMUH a a
v : UHMLP IQMIRQ 6 RQIQJ
v 2 YHUP RQIQJ 738
v &RQDFW FDUUHU 738 *)
v &RQDFW %UDW 3KRYSKRUEURQJ H * RGS SDIHG
v &RXSQQJ QXWUFHZ 3\$ *)
v 6HDO) . 0 6 / , & 2 1 2 5 IQJ
v &DECH DFNHVP DMJDO 385 39 & / 6 += DVRSURQ
v &RUHQXQNRQ 39 & 65 39 & 3 (33 DVRSURQ
v %HQGQJ UDGXV) QH IECHXVH • ['
v (0 , 6 KHQIQJ GRQ 6 KHQCHG
v 0 HFKDQFDOHMSDQ • P DMQJ F, FQV
v , 3 UDMQJ , 3 , 3 IQDFNHGFRQEURQJ
v / RFNLQJ ' HMJQ \$ QM9LEUMRQ

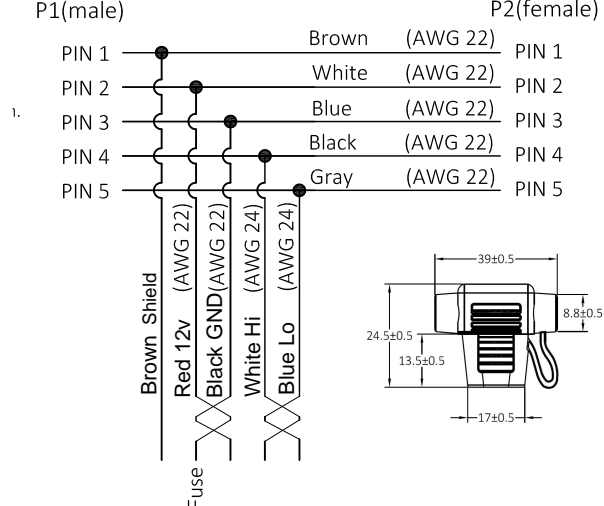
3HURLP DQFH 0 DMJDO

v 5 HMVDCWRK FKHP IFDQ DQGRQJ
v 5 HMVDCWRK P IUREHV DQGRK GUROVU
v 3 RQNRQGHUHH ...
v 5 R+6 FRP SDQCFH

&RQDFW 1 R		3,1
&RQIQJ		\$ FRQIQJ
. H, Z, D, &RQIQJ) URQ/0 IHZ 0 DBI	
) URQ/0 IHZ) HP DBI	
&XUHQW		\$
9 RQDUH		9
5 HHHCHF &DECH	: UH * DXIH	\$: *
	&URV 6 HFVRQ	PP
	: UIQJ / LW	Before Jun 2020 version: %URZQ : KUN %QCH %DFN * UH After 1st July 2020 version: 1, Brown 2, Red 3, Black 4, White 5 Blue.



Wire List





Male



Female

