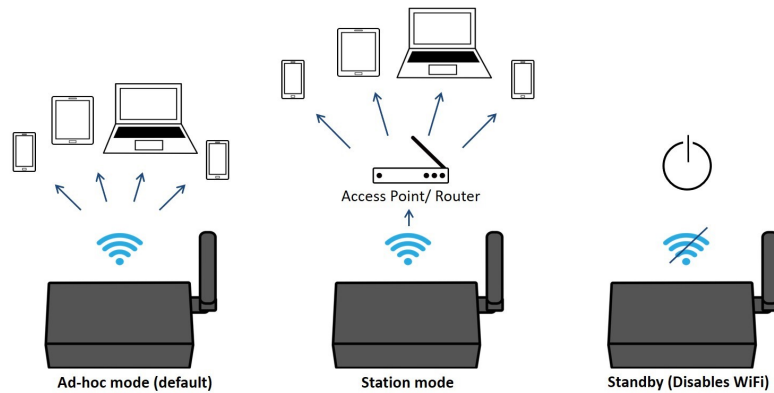


### 6. Connect via WiFi if desired

You can connect to the A024's WiFi output in several ways



**6.a Ad-hoc mode WiFi** (direct A024 to phone/tablet/PC) is the default setting, this requires no Windows configuration.

- **On your device (phone/tablet/PC):** 15 seconds after the A024 has powered up, you can scan for a WiFi network with an SSID similar to 'QK-A024xxxx'. Connect the device to 'QK-A024xxxx' with the default password: '88888888'.
- **In your chart software:** set the protocol as 'TCP', IP address as '192.168.1.100' and the port number as '2000' in the chart software.

**6.b Station mode WiFi** (A024 through a router/access point - to phone/tablet/PC) allows you to access your data at the same time as your other WiFi network data. This option requires configuration to set up the connection between the A024 and your router. See the 'Configuration' section of the manual and configuration instructions on the CD provided.

**6.c WiFi output can be disabled if needed.** (from version 1.2, May 2020)

Disabling WiFi output is useful, if connecting to another WiFi enabled device or data multiplexer, for example, the A033 or A034. This will also lower energy consumption, already very low. See the 'Configuration' section of the manual and configuration instructions on the CD provided.

### 7. Baud rates can be adjusted if needed

To change the baud rate from the default settings (input 4800bps and output 38400bps), adjust these settings using the Configuration software.

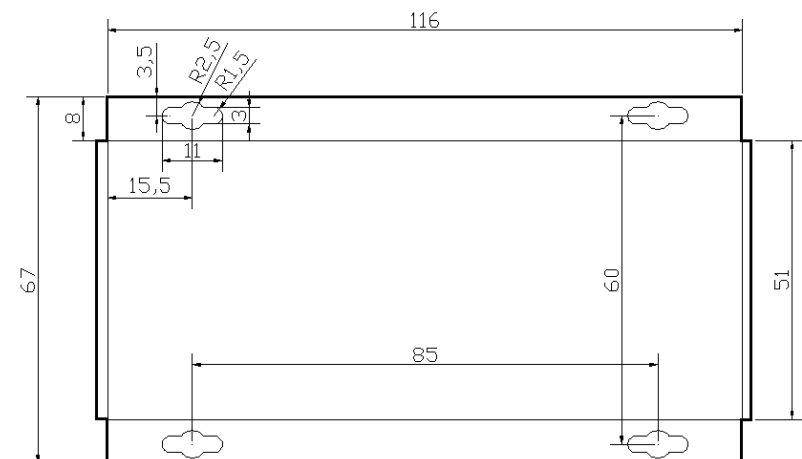
See the 'Configuration' section of the manual and configuration instructions on the CD provided.

**Disclaimer:** This product is designed to aid navigation and should be used to augment normal navigational procedures and practices. It is the user's responsibility to use this product prudently. Neither Quark-elec, nor their distributors or dealers accept responsibility or liability either to the product user or their estate for any accident, loss, injury or damage whatsoever arising out of the use or of liability to use this product.

**Email:** info@quark-elec.com

# QK-A024 AIS RECEIVER WITH NMEA MULTIPLEXER + WIFI

- **What You Need**
- **Installation Overview**
- **Notes**



All products are CE, RoHS certified  
www.quark-elec.com

Please recycle your packaging





This is an overview only. Familiarize yourself with the manual and the manuals of any connecting devices before installation. It is always recommended that electronic equipment be installed by an experienced installer.

**BEFORE LEAVING HOME:**

We recommend pre-installing the Configuration software and drivers if needed, as you might not have a CD reader/internet access on site.

**Driver and Configuration software are optional and only needed for specific features.**

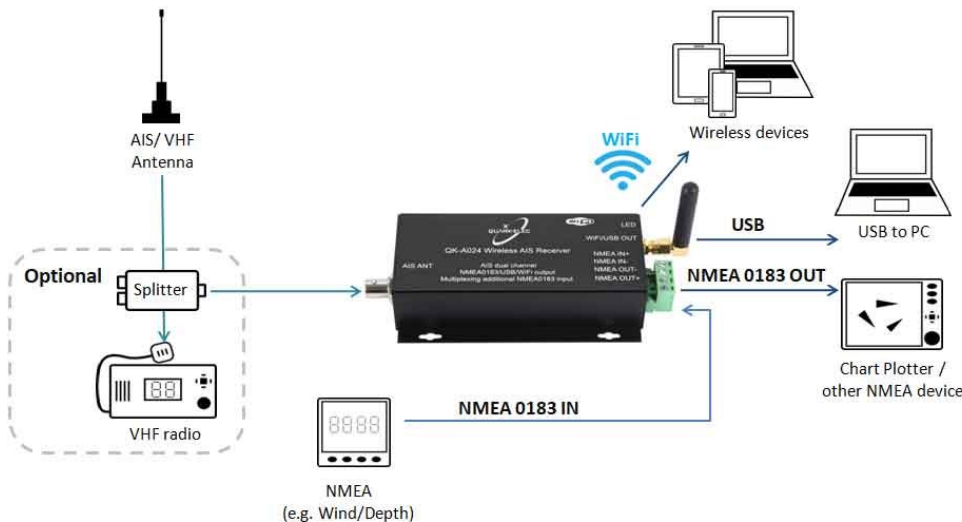
**If you will access data (or Configuration) on a Mac/Linux/Windows PC:**

- Driver required for Windows. If using Windows 10, the driver should install automatically, if not, it is included on the Free CD and at Quark-elec.com.
- Driver not required for Mac or Linux.

**Configuration Software is usually only required if you wish to:**

- **Change to Station mode WiFi from the default setting** (e.g. through a router, see page 4)
- **Adjust NMEA 0183 baud rates:** The NMEA 0183 baud rates are set to 4800bps (input) and 38400bps (output) as default, as these are the settings used by most input and output NMEA devices. You can adjust the baud rates if desired, using the Configuration software.
- **Disable GPS input or WiFi output** (from version 1.2 (May 2020) onwards)

If needed, Configuration Software is included on the FREE CD and at [www.quark-elec.com](http://www.quark-elec.com).



**INSTALLATION**

**1. Mounting: Consider your location...**

- Dry, sturdy location 0.5m from other WiFi equipment.
- Ensure you have the correct length of cable needed for VHF and the 5.0V power via micro USB. If drilling holes for your cabling, seal around any holes to prevent damage to your vessel or equipment.

**2. Connect your Antennas: VHF**

- **Connect VHF:** If you want to use one VHF antenna for both AIS and radio (or other purposes), then you will need an active splitter. An active splitter will protect the A024 and your other VHF equipment (VHF radio). If not, the two signals will significantly damage each device connected as well as reducing the signal.

If using two VHF antennas, place them as far away as possible from each other (at least 3 metres).

**3. Connect Power**

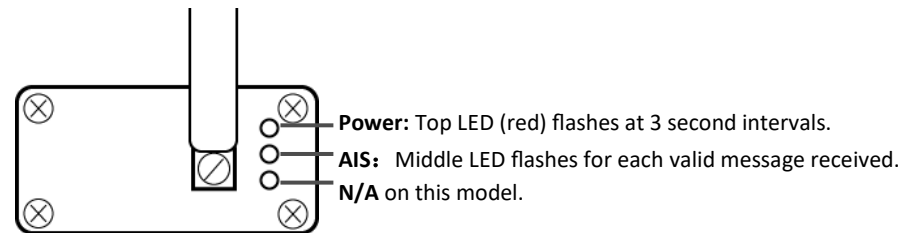
The A024 uses 5.0V power. This is connected via a micro USB. USB cable is provided. This can connect to a mobile or PC. If a mobile electronic device isn't available then we recommend using your vessels battery power. The power must be 5.0V, any higher will damage the A024.



**We do not recommend using a cigarette charger. A low noise power connector designed for marine applications is available at [www.quark-elec.com/12to5vconverter](http://www.quark-elec.com/12to5vconverter)**

**4. Check LED lights are working on the A024**

The flashing green light indicates a valid AIS signal is being received by the A024.



**5. Disconnect power and connect NMEA input and output if desired**

Connect the '+' and '-' terminals of the NMEA input/output on the A024 to the '+' and '-' terminals of the output/input on the instrument.

The A024 uses NMEA 0183-RS422. If your connecting device uses the older NMEA 0183-RS232 and you are having issues with your NMEA connection, you may find swapping these terminals works for your device. Alternatively, connect it using a Quark-elec Protocol Bridge (QK-AS03).